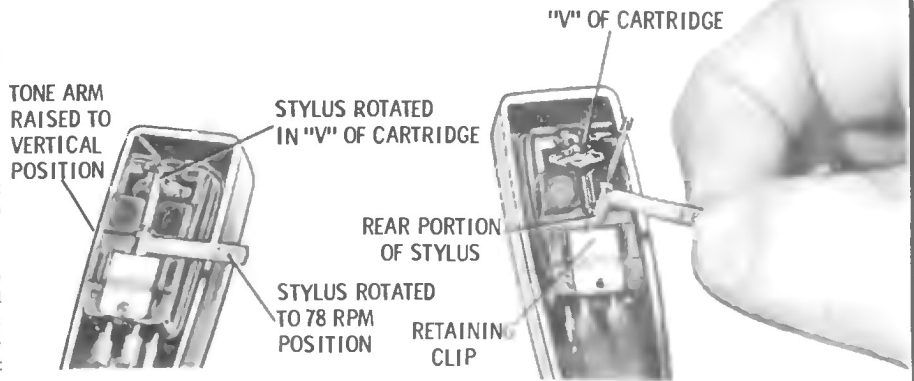


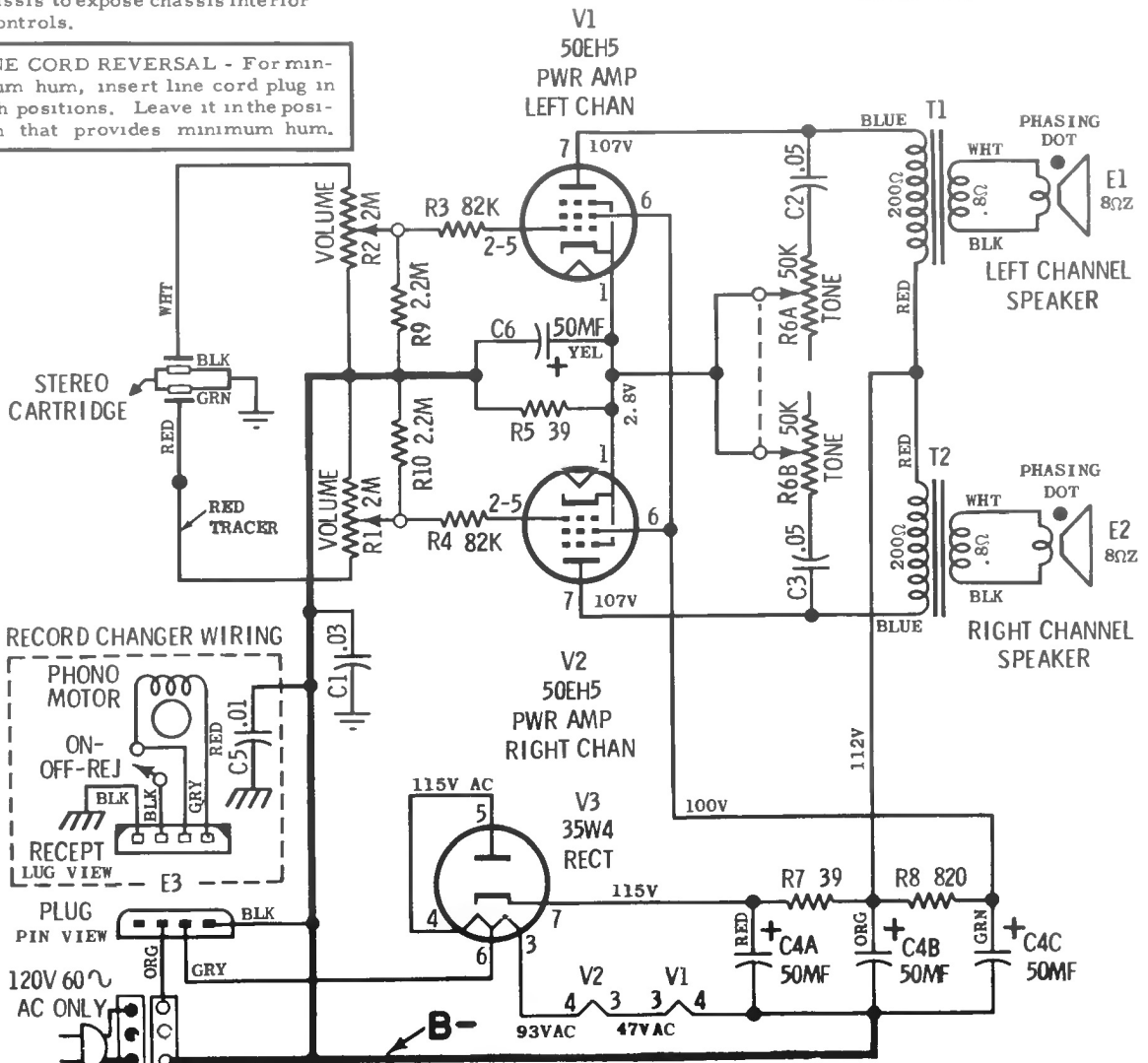
MOTOROLA MODEL SP51 CHASSIS HS-1134

CHASSIS REMOVAL

1. Remove 4 screws that mount the record changer mounting board to the cabinet.
2. Lift up the record changer mounting board to gain access to underside of record changer, then unsolder and disconnect all leads that are connected from chassis to record changer and speaker.
3. Remove 3 control knobs and two large chassis mounting nuts and washers, then remove chassis from cabinet; if necessary, remove 4 screws that mount control bracket to chassis to expose chassis interior and controls.



LINE CORD REVERSAL - For minimum hum, insert line cord plug in both positions. Leave it in the position that provides minimum hum.



NOTES: E5 E4

CAPACITORS - UNLESS OTHERWISE SPECIFIED, DECIMAL VALUES IN MF, ALL OTHERS IN MMF.

VOLTAGES - MEASURED FROM POINT INDICATED TO B- WITH A VTVM, $\pm 10\%$ NO SIGNAL INPUT.

\perp = CHASSIS GROUND

\perp = RC GROUND